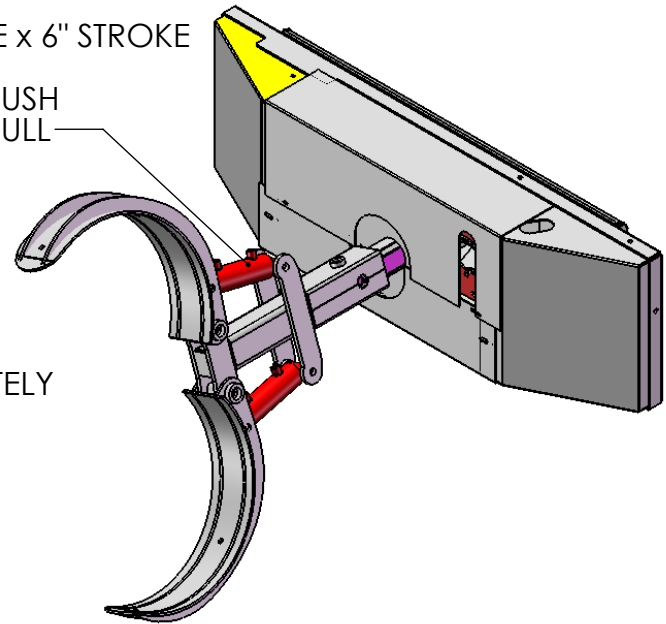
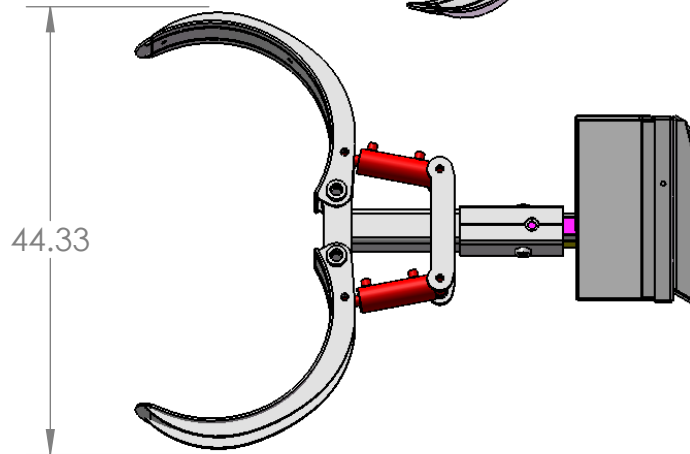
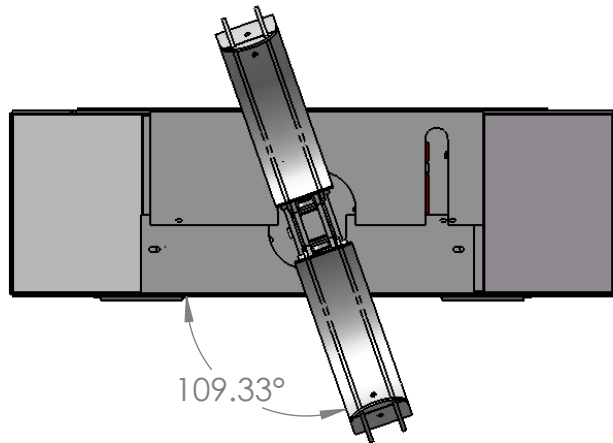


2X 3" BORE x 6" STROKE  
CYLINDER  
21206 LB PUSH  
13990 LB PULL



WEIGHT: 498 LBS. APPROXIMATELY  
ROTATES 300°  
RATED FOR 1200 LBS.



PROPRIETARY AND CONFIDENTIAL  
THE INFORMATION CONTAINED IN THIS  
DRAWING IS THE SOLE PROPERTY OF  
EZ-SPOT-UR. ANY REPRODUCTION IN PART  
OR AS A WHOLE WITHOUT THE WRITTEN  
PERMISSION OF EZ-SPOT-UR IS PROHIBITED.

		UNLESS OTHERWISE SPECIFIED:	NAME	DATE
		DIMENSIONS ARE IN INCHES	DRAWN	TIM R. 6-21-2010
		TOLERANCES:	CHECKED	
		FRACTIONAL ±	ENG APPR.	
		ANGULAR: MACH ± BEND ±	MFG APPR.	
		TWO PLACE DECIMAL ±	Q.A.	
		THREE PLACE DECIMAL ±	COMMENTS:	
		INTERPRET GEOMETRIC TOLERANCING PER:		
		MATERIAL SEE DETAILS		
		FINISH		
NEXT ASSY	USED ON			
APPLICATION		DO NOT SCALE DRAWING		

**EZ-SPOT-UR**

TITLE:  
**ASSY, BARREL HANDLER  
WITH CHAIN BASE**

SIZE **A** DWG. NO. **CDB-01-0001** REV  
**ROTATED**

SCALE: 1:19 WT: 497.66 LBS SHEET 1 OF 1