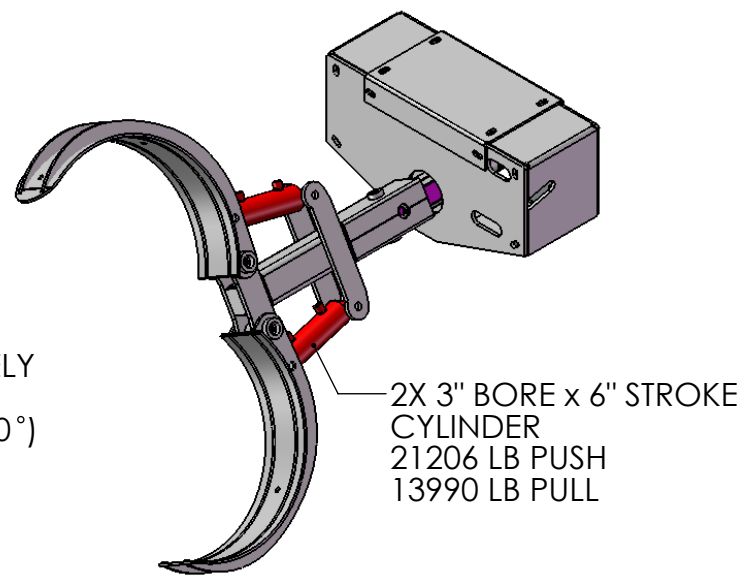
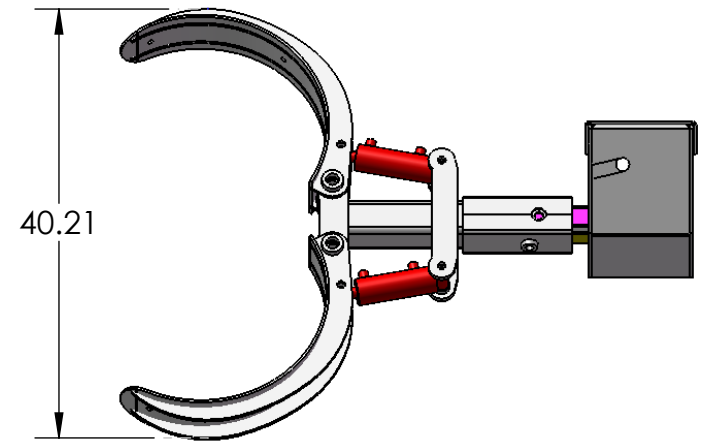
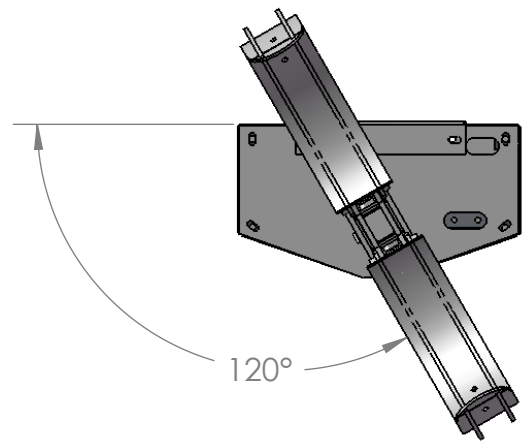


WEIGHT: 385 LBS. APPROXIMATELY
 ROTATES 120° ONE WAY (30°+ 90°)
 WEIGHT RATING DEPENDENT ON
 MACHINE'S LIFTING CAPACITY.



2X 3" BORE x 6" STROKE
 CYLINDER
 21206 LB PUSH
 13990 LB PULL



PROPRIETARY AND CONFIDENTIAL
 THE INFORMATION CONTAINED IN THIS
 DRAWING IS THE SOLE PROPERTY OF
 EZ-SPOT-UR. ANY REPRODUCTION IN PART
 OR AS A WHOLE WITHOUT THE WRITTEN
 PERMISSION OF EZ-SPOT-UR IS PROHIBITED.

		UNLESS OTHERWISE SPECIFIED:	NAME	DATE
		DIMENSIONS ARE IN INCHES	DRAWN	TIM R. 6-28-2010
		TOLERANCES:	CHECKED	
		FRACTIONAL ±	ENG APPR.	
		ANGULAR: MACH ± BEND ±	MFG APPR.	
		TWO PLACE DECIMAL ±	Q.A.	
		THREE PLACE DECIMAL ±	COMMENTS:	
		INTERPRET GEOMETRIC TOLERANCING PER:		
		MATERIAL SEE DETAILS		
NEXT ASSY	USED ON	FINISH		
APPLICATION		DO NOT SCALE DRAWING		

EZ-SPOT-UR

TITLE:
**ASSY, BARREL HANDLER
 WITH EXCAVATOR BASE**

SIZE DWG. NO. REV
A EXC-01-0004

SCALE: 1:18 WT: 322.10 LBS. SHEET 1 OF 1