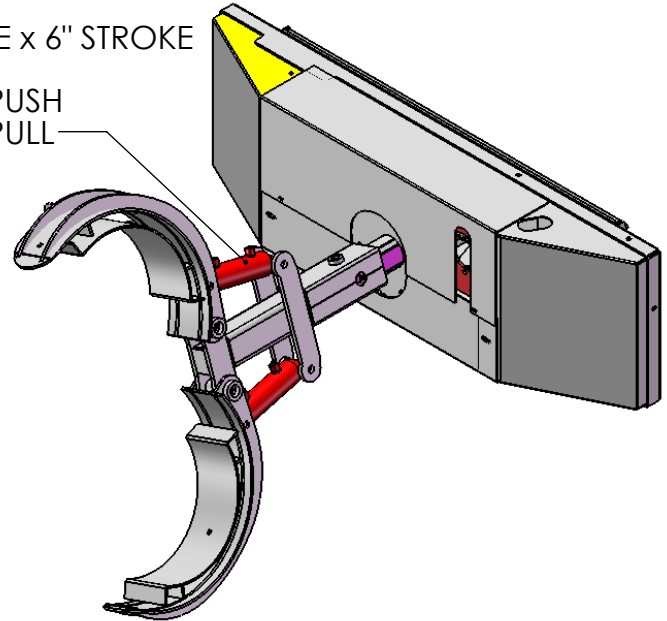
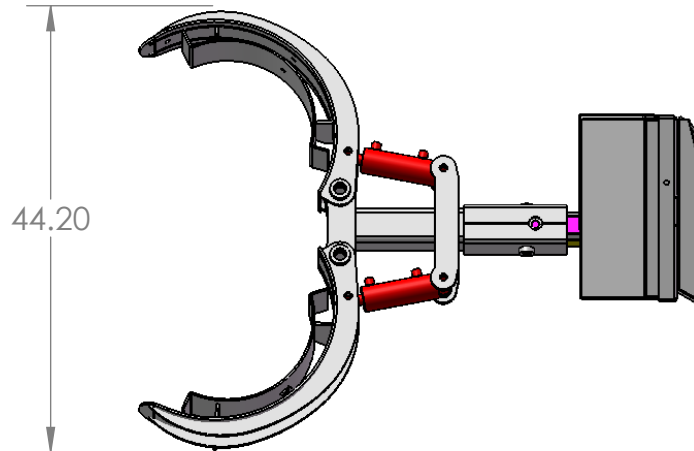
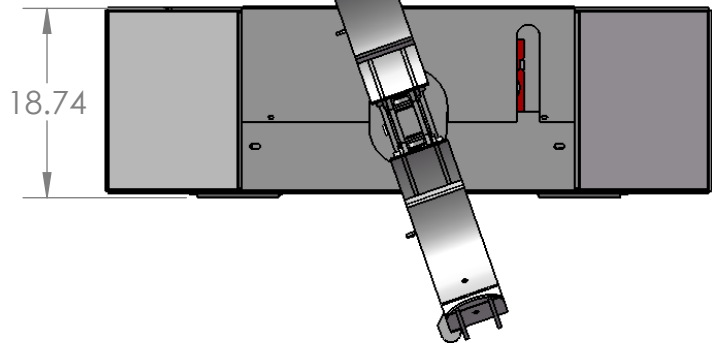


2X 3" BORE x 6" STROKE
CYLINDER
21206 LB PUSH
13990 LB PULL



WEIGHT: 517 LBS. APPROXIMATELY
ROTATES 300°
RATED FOR 1200 LBS.



PROPRIETARY AND CONFIDENTIAL
THE INFORMATION CONTAINED IN THIS
DRAWING IS THE SOLE PROPERTY OF
EZ-SPOT-UR. ANY REPRODUCTION IN PART
OR AS A WHOLE WITHOUT THE WRITTEN
PERMISSION OF EZ-SPOT-UR IS PROHIBITED.

		UNLESS OTHERWISE SPECIFIED:		NAME	DATE
		DIMENSIONS ARE IN INCHES	DRAWN	TIM R.	6-21-2010
		TOLERANCES:	CHECKED		
		FRACTIONAL ±	ENG APPR.		
		ANGULAR: MACH ± BEND ±	MFG APPR.		
		TWO PLACE DECIMAL ±	Q.A.		
		THREE PLACE DECIMAL ±	COMMENTS:		
		INTERPRET GEOMETRIC TOLERANCING PER:			
		MATERIAL SEE DETAILS			
		FINISH			
NEXT ASSY	USED ON				
APPLICATION		DO NOT SCALE DRAWING			

EZ-SPOT-UR

TITLE:
**ASSY, BARREL HANDLER
W/ CHAIN BASE & 30
GALLON INSERT**

SIZE **A** DWG. NO. **CDB-01-0007** REV
ROTATED

SCALE: 1:24 WT: 516.68 LBS SHEET 1 OF 1